

NORSEAL®

V820

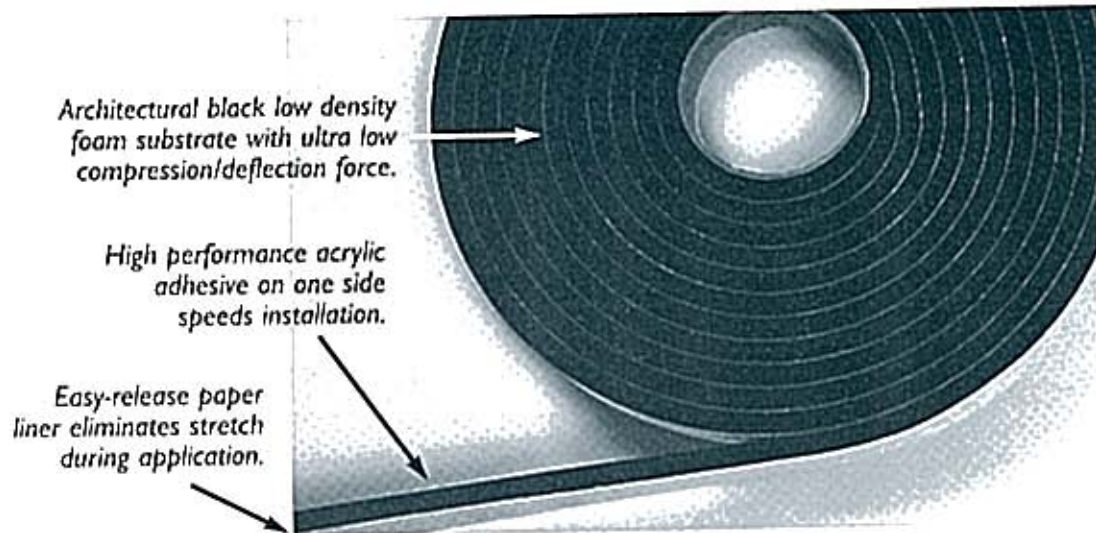
Closed-Cell PVC Foam Sealant With Pressure-Sensitive Adhesive on One Side

FEATURES/BENEFITS:

- Dimensionally Stable Under Compression
- Withstands a Wide Temperature Range
- Low Deflection Force Causes No Distortion of Thin-Gauge Plastics and Metals
- Easy to Radius, Enhancing Positive Seal on Curved Surfaces
- Very Conformable; Adapts Easily to Irregular Surfaces

TYPICAL APPLICATIONS INCLUDE:

- Light and Dust Seals
- Suspended Ceilings
- Refrigeration
- Wall Systems
- Environmentally Controlled Rooms
- Electronic Equipment Cabinets
- Toolbox Lid Seal
- Anti-Squeak Seal



Norseal V820, a soft, low-density foam, can withstand a range of temperatures.

ENGINEERED FOR EASY COMPRESSION

Norseal V820 is a very soft, low-density foam that has been engineered for easy compression. Since it can withstand a wide range of temperatures, it can be used in all climates. Norseal is dimensionally stable under compression; it will not drip, ooze or shift. In addition, Norseal adapts easily to irregular surfaces. It is easy to radius, enhancing positive seals on curved surfaces. Norseal can be used anywhere a soft, conformable foam product is required.*

SUPERIOR PERFORMANCE IN A LOW-DENSITY FOAM

Norseal's special formulation allows it to provide superior performance at a reduced force to compress. Its low deflection force causes no distortion of thin-gauge plastics and metals. Norseal's low thermal conductivity improves energy efficiency. And, Norseal controls sound transmission and vibration, which makes it ideal for acoustical attenuation.

AGGRESSIVE ADHESIVES SIMPLIFIES INSTALLATION

Norseal's aggressive adhesive allows for easy installation. An easy-release paper liner eliminates stretch during installation. And, a high-performance acrylic adhesive on one side speeds installation. Norseal's high-tack positioning adhesive grips tightly on initial contact, which ensures that the foam stays in place during assembly.

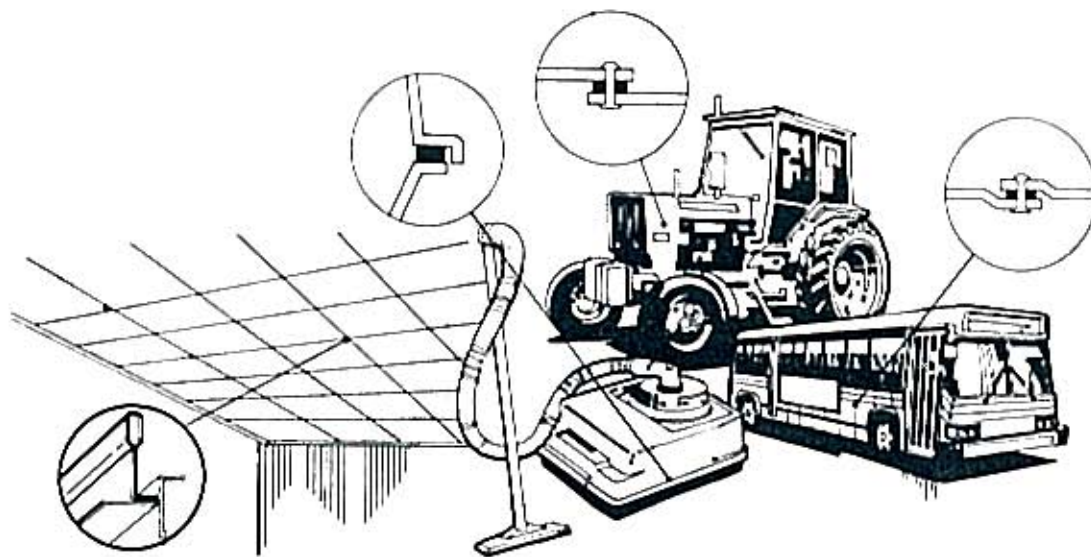
STANDARD ROLL SIZES

Norseal is available in black in widths of 1/4" to 56", lengths from 25' to 100' and a variety of thicknesses. For configuration capabilities, please contact your Norton sales representative.

*Please Note: Not recommended as a primary seal in severe exposure.

NORTON

— NORTON PERFORMANCE PLASTICS —



STANDARD ROLL SIZES

*Width: 1/4" to 56"	Color: Black *Varies with gauge	3" I.D. Cores
Product No.	Thickness, in.	Length, ft.
V824	1/8	100
V826	3/16	50
V828	1/4	50
V8212	3/8	25
V8216	1/2	25

Storage: Material should be stored at 70°F, 50% relative humidity.

Application Guide: Surfaces should be clean before applying. Do not remove liner until sealant is in proper position. Avoid touching adhesive surface before application. Norton recommends testing all sealants under individual application conditions and materials used prior to commercial use.

Please Note: Because Norton cannot anticipate or control every potential application, we strongly recommend testing of this product under individual application conditions prior to commercial use. The product contains plastizer, which may adversely affect some plastics.

NORSEAL® V820 TYPICAL PHYSICAL PROPERTIES

Property	Test Method	Value or Rating
Density (lb./cu. ft. (kg/m ³))	ASTM D-1667	6.0 (96.1)
Hardness: Shore 00	ASTM D-2240	10
Force to Compress: psi (kPa)*	ASTM D-1667	1.7 (11.7)
Compression Deflection: psi (kPa)*	ASTM D-1667	0.5 (3.4)
Compression Set: % lost fr. orig. fr.*	NTP-37	4.0
Water Absorption (% by volume)*	NTP-35	5.0
90° Peel Adhesion: oz./in. (N/m)	PSTC-2	64 (700)
Elongation: %	ASTM D-412 die A	125
Tensile: psi (kPa)	ASTM D-412 die A	13.7 (94)
Thermal Conductivity: ($\frac{\text{BTU in.}}{\text{Sq. Ft. (hr.) } ^\circ\text{F}}$)	ASTM C-518	.27
Recommended Service Temp.	—	-30°F to 180°F (-33°C to 82°C)
Recommended Application Temp.	—	40°F to 125°F (4°C to 52°C)

* Based on 90% compression.

NTP IS NORTON TEST PROCEDURE.
Parameter values are not guaranteed and will differ from lot to lot.
For specification writing, contact Norton's Technical Service Department.

Distributed By:



NORTON PERFORMANCE PLASTICS

A Saint-Gobain Company

Norton Performance Plastics Corporation
One Sealants Park, Granville, NY 12832
800-724-0883 • 518-642-2200 • FAX: 518-642-2793
www.nortonplastics.com



For a period of 5 months from the date of first use, Norton Performance Plastics Corporation warrants this product to be free from defects in materials and workmanship. Our only obligation will be to replace any portion proving defective or, at our option, to refund the purchase price of the sealant. User assumes all other risks, including the risk of injury, loss or damage, direct or consequential, arising out of the use, misuse or inability to use this product. THIS WARRANTY IS LIMITED TO THE WARRANTIES OF MERCHANTABILITY, FITNESS FOR PARTICULAR PURPOSE AND ALL OTHER WARRANTIES, EXPRESS OR IMPLIED. No contractor is authorized.

Norton Performance Plastics Corporation assumes no obligations or liability for any advice furnished by it, or for results obtained with respect to these products. All such advice is given and accepted at the user's risk.